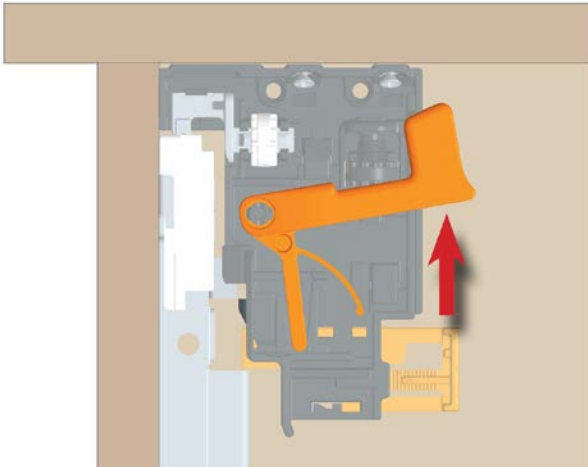


Adjusting the fit on 6-way under mount guides (per side)

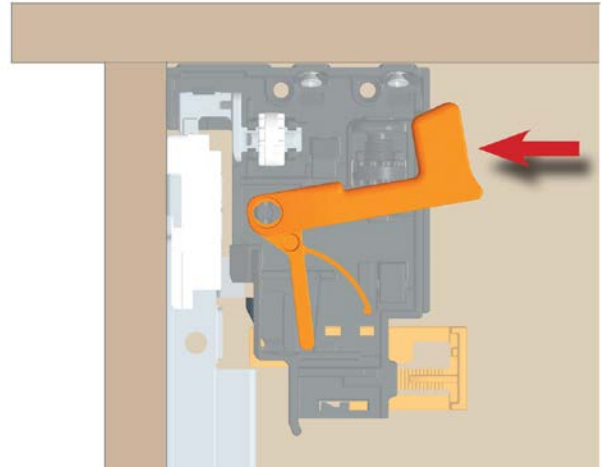
REMOVAL From the Front

Position hands to the front of drawer. Reach in and grab the orange lever, gently pulling the drawer towards you.



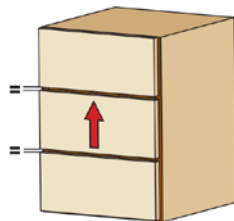
REMOVAL From the Side

Best method for wider drawers. Position hands on both sides of drawer. Reach in and grab the orange lever, gently sliding drawer towards you.

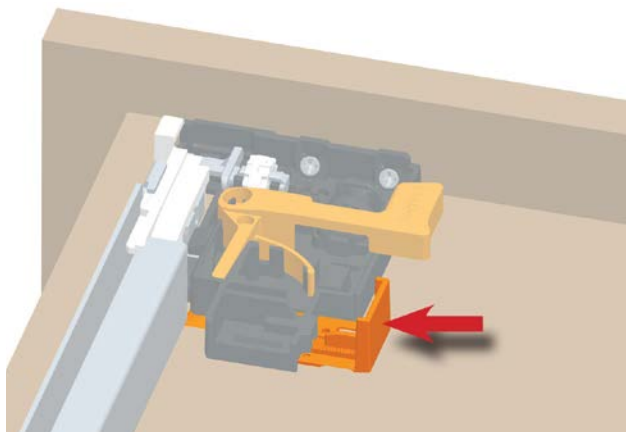


VERTICAL ADJUSTMENT Tool Free

Push lever towards **outside** of drawer to raise drawer

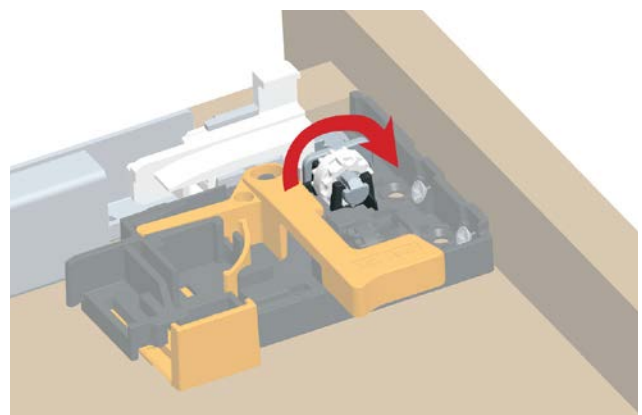
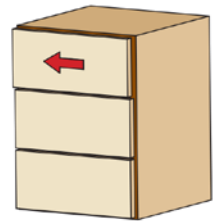


Pull toward **center** of drawer to lower drawer



MOVE TO LEFT Tool Free

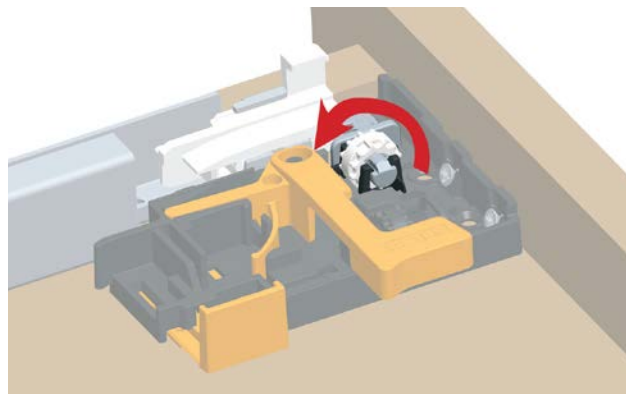
Rotate white wheel **towards** you to move drawer to left



Adjusting the fit on 6-way under mount guides (per side)

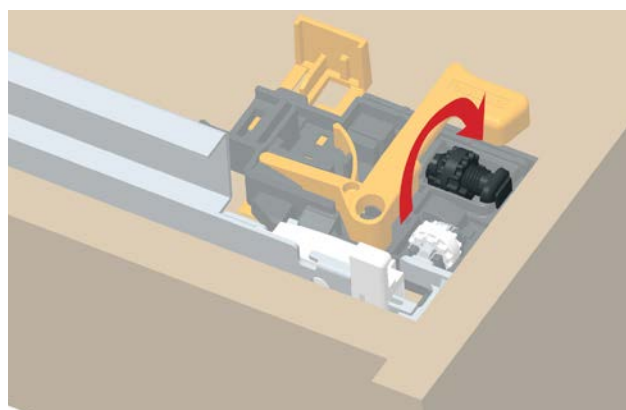
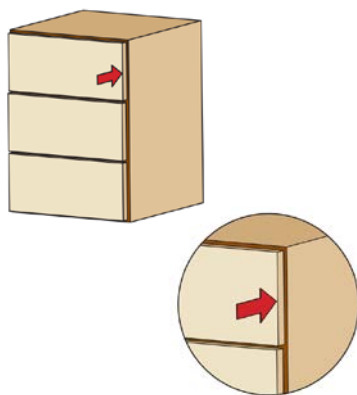
MOVE TO RIGHT Tool Free

Rotate white wheel
away from you to
move drawer to right



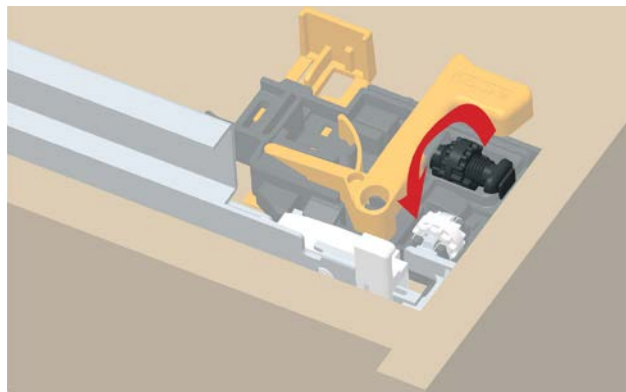
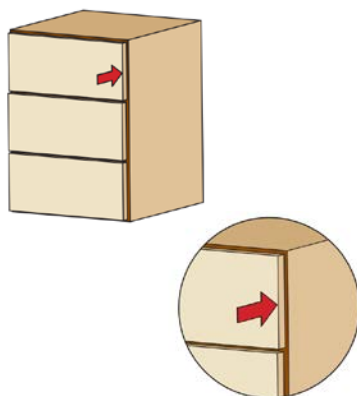
MOVE BACK Tool Free

Rotate black wheel
towards **center**
to reduce the gap
between drawer
and cabinet



MOVE FORWARD Tool Free

Rotate black wheel
towards **sides** to
increase the gap
between drawer
and cabinet



MOVE FORWARD or BACK *Inset Only*

If above instructions do not provide
enough adjustment, remove the drawer
and adjust the slide bracket, located on
the cabinet face frame.

